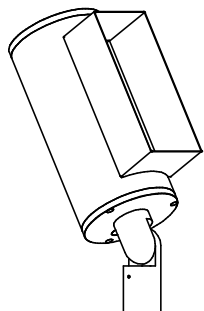


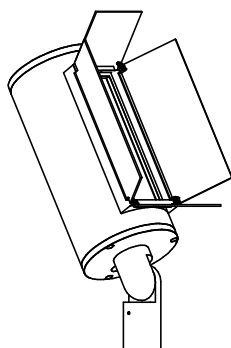
"Accessory Options"



Optional Internal Lens or Shielding (Up to Two can be Specified)

360HD™ (Patented) Mounting System

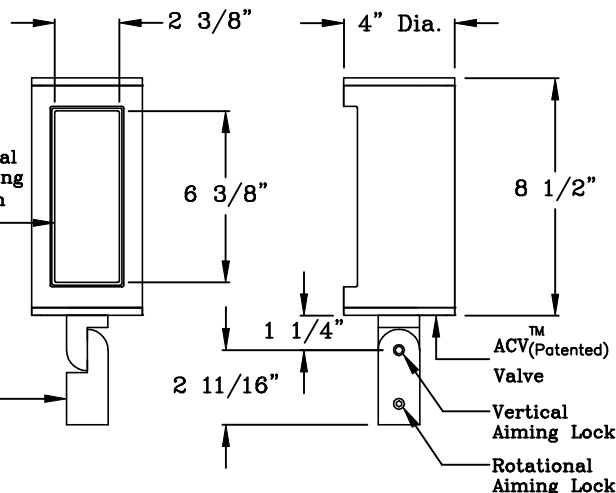
Cutoff Snoot



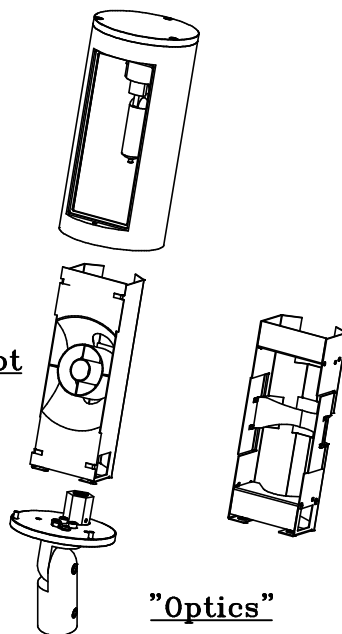
Adj. Barn Doors

Features:

- All Precision Machined Aluminum Construction.
- 360HD™ (Patented) Knuckle Mounting System Allows Vertical to Horizontal and Rotational Aiming with Positive Aim and Lock Technology. Provides Integral Wireway.
- G12 Base 5KV Pulse Rated Lampholder With 180°C, 18 Ga. Wire Leads (Leads Extend 6" Beyond Mounting Knuckle).
- Utilizes T8 Metal Halide Lamp, 35W or 70W.
- Gasketed End Caps, Forms Raintight Optical Compartment With Clear, Tempered, Glass Lens, Factory Sealed.
- ACV™ (Patented) Valve System.
- Polyester Powdercoat Finishes Standard. (Specify)



Spot



Flood

"Optics"

See OPTIKIT™ Submittal Sheet for Field Interchangeable Optics Ordering Information.

CATALOG NUMBER LOGIC

EXAMPLE: SU - SP - 82 - BZP - 13 - 11 - CS - HP2-M70H-120 - CPC

Series: _____

Optics: _____

SP - Spot

FL - Flood

Lamp Type: _____

0 - By Others

81 - 35/T8/830 MH (35W)

82 - 70/T8/830 MH (70W)

Finish: _____

Powdercoat	Satin	Wrinkle
Bronze	BZP	BZW
Black	BLP	BLW
White (Gloss)	WHP	WHW
Aluminum	SAP	---
Verde	---	VER

Lens Type: _____

9 - Clear (Standard)

10 - Spread

13 - Rectilinear

Shielding: _____

11 - Honeycomb Baffle

Accessories: _____

CS - Cutoff Snoot

BD - Adjustable Barn Doors

Ballast Style and Input Voltage: _____

(See Ballast Drawings For Specification Information)

HP2-H35M-120 or 277 - (35W) Recessed In Grade Magnetic

HP2-H70M-120 or 277 - (70W) Recessed In Grade Magnetic

HP2-H35E-MT* - (35W) Recessed In Grade Electronic

HP2-H70E-MT* - (70W) Recessed In Grade Electronic

HP2RM-H35M-120 or 277 - (35W) Recessed Remote In Grade Magnetic

HP2RM-H70M-120 or 277 - (70W) Recessed Remote In Grade Magnetic

HP2RM-H35E-MT* - (35W) Recessed Remote In Grade Electronic

HP2RM-H70E-MT* - (70W) Recessed Remote In Grade Electronic

PPII-H35M-120 or 277 - (35W) Power Pipe II Above Grade Magnetic

PC-H35M-120 or 277 - (35W) Power Canopy Wall or Ceiling Mount Magnetic

PC-H70M-120 or 277 - (70W) Power Canopy Wall or Ceiling Mount Magnetic

RM-H35M-120 or 277 - (35W) Screw Cover Remote Wall Mount Magnetic

RM-H70M-120 or 277 - (70W) Screw Cover Remote Wall Mount Magnetic

RM-H35E-MT* - (35W) Screw Cover Remote Wall Mount Electronic

RM-H70E-MT* - (70W) Screw Cover Remote Wall Mount Electronic

TSB-H35E-MT*-LENGTH - (35W) Tree Strap Mount Electronic

TSB-H70E-MT*-LENGTH - (70W) Tree Strap Mount Electronic

TMB-H35E-MT* - (35W) Pole Top or Tenon Mounted Electronic

TMB-H70E-MT* - (70W) Pole Top or Tenon Mounted Electronic

*MT = 120/208/240/277 Multi Tap

Options: _____

CPC - Concrete Pour Collar (HP2 & HP2RM Only)

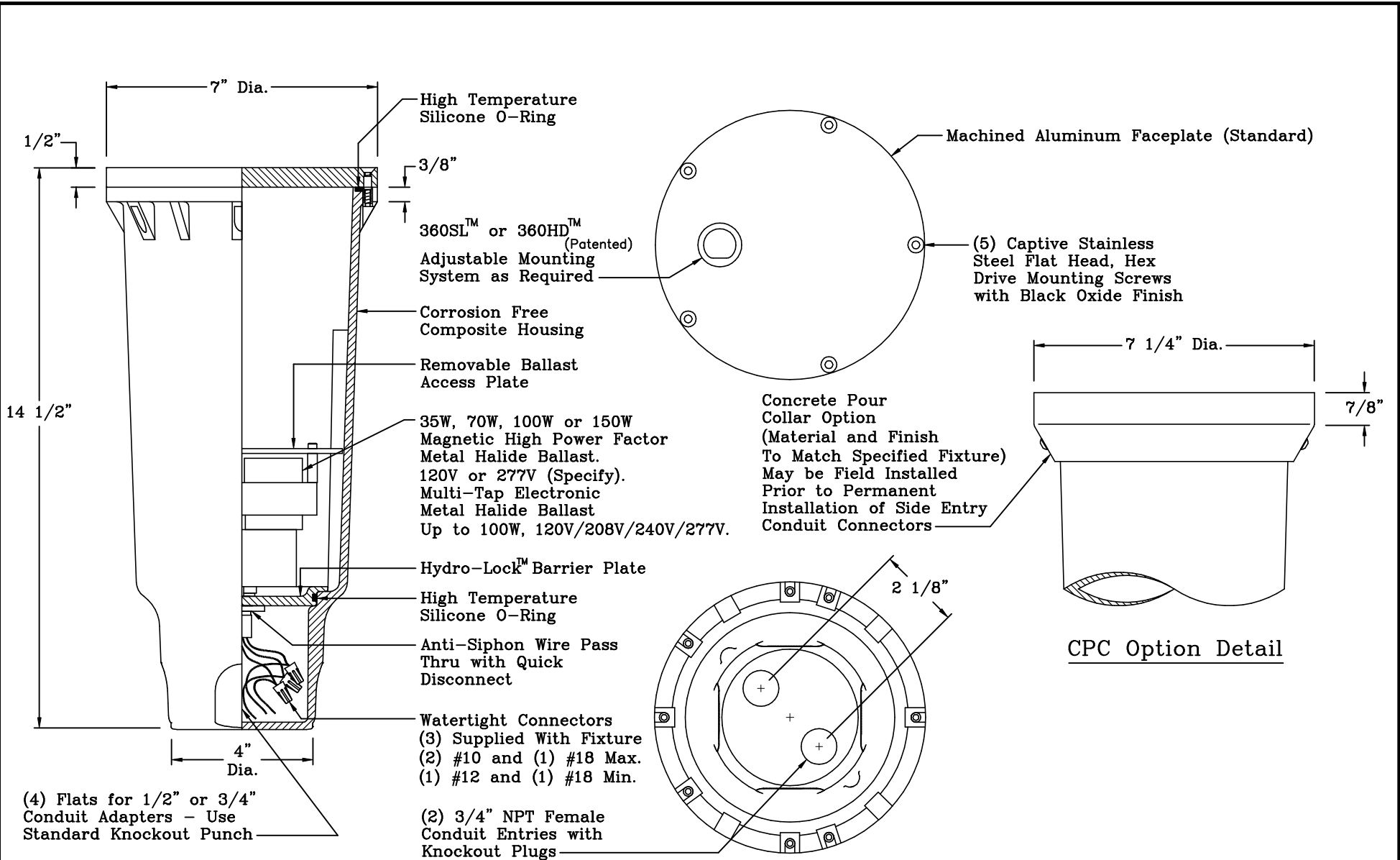
For Use with 35W or 70W, 120V or 277V Metal Halide Ballast. See Ballast Submittal Sheets for Ballast Ordering Information.



8/03

SEQUOIA SERIES™
B-K LIGHTING, INC.

DRAWING NUMBER
SUB-1197-03



See Reverse Side For Ballast Catalog Number Logic

For Use With EV™, SE™, K2™, YO™ or SU™ Series Metal Halide Fixtures



HP ² ™ METAL HALIDE BALLAST		DRAWING NUMBER SUB-1215-02
5/02	B-K LIGHTING, INC.	

CATALOG NUMBER LOGIC

(Add to Fixture Catalog Number)

EXAMPLE: HP2 - H35M - 277 - CPC

Housing: _____

HP2

Ballast Type: _____

H35M - 35W Magnetic
H70M - 70W Magnetic
H100M - 100W Magnetic
H150M - 150W Magnetic
H35E - 35W Electronic
H70E - 70W Electronic
H100E - 100W Electronic

Input Voltage: _____

120

277

MT - Multi-Tap Electronic
Metal Halide Ballast 120/208/240/277

Options: _____

CPC - Concrete Pour Collar ●

- (Material and Finish to Match Specified Fixture)
- (May be Field Installed Prior to Permanent Installation of Side Entry Conduit Connectors)

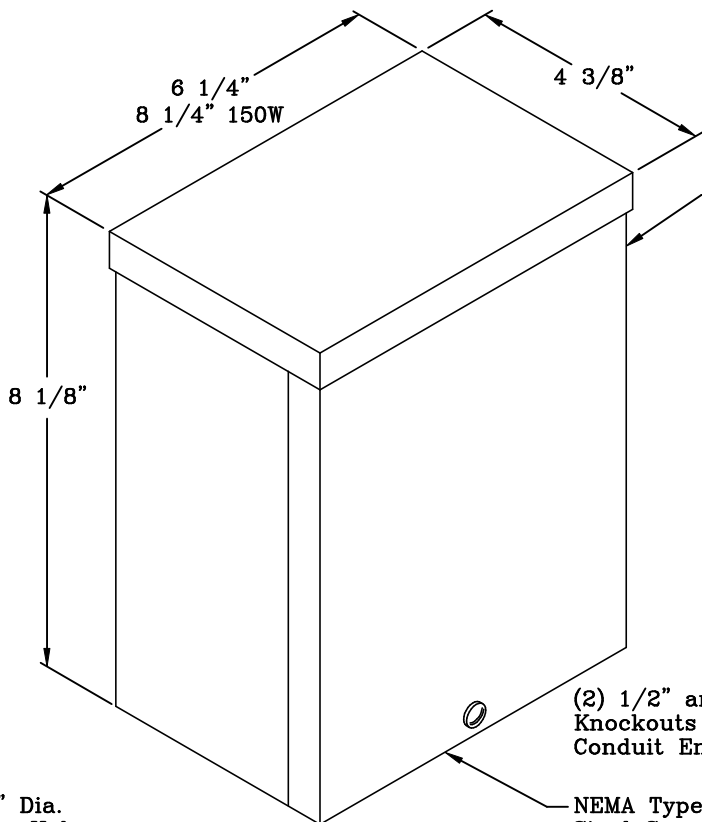
Features:

- Precision Machined Aluminum Faceplate.
- Corrosion Free Composite Recessed Below Grade Housing.
- 360SL™ or 360HD™ (Patented) Adjustable Mounting System, Allows Rotational Adjustment with O-Ring Seal and Tamperproof Design.
- 35W, 70W, 100W or 150W Magnetic High Power Factor, Metal Halide Ballast (Standard) with Class H Insulation, 120V or 277V (Specify).
- 35W, 70W or 100W Multi-Tap Electronic Metal Halide Ballast 120V/208V/240V/277V.
- Junction Box with Hydro-Lock™ Barrier Plate.
- Concrete Pour Collar Available in Aluminum or Brass.
- Large High Temperature Silicone Compression Type O-Ring with Five Stainless Steel Countersunk Hex Socket Captive Mounting Screws, Creates Water Tight Seal.
- Watertight Connectors, (3) Supplied with Fixture.

For Use With EV™, SE™, K2™, YO™ or SU™
Series Metal Halide Fixtures



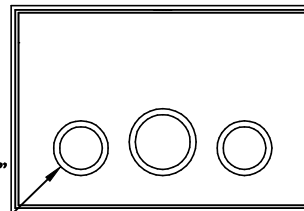
HP ² ™ METAL HALIDE BALLAST CATALOG NO. LOGIC	
5/02	B-K LIGHTING, INC. DRAWING NUMBER SUB-1215-02



35W, 50W, 70W, 100W or 150W
Magnetic High Power Factor
Metal Halide or High Pressure
Sodium Ballast.
120V or 277V (Specify)

Multi-Tap Electronic
Metal Halide Ballast
Up to 100W, 120V/208V/240V/277V.

150W Electronic Metal Halide Ballast
120V or 277V (Specify).

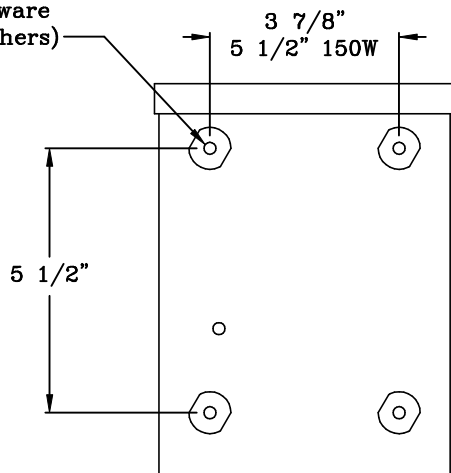


Bottom View

(2) 1/2" and (1) 3/4"
Knockouts for
Conduit Entry

NEMA Type 3R
Steel Screw Cover
Box with Polyester
Powdercoat Finish.
(Specify)

(4) 1/4" Dia.
Mounting Holes
(Hardware
By Others)



Back View

MAX. LAMP TO BALLAST DISTANCES

BALLAST TYPE	Wattage				
	35	50	70	100	150
MH Magnetic	50'	50'	50'	50'	50'
MH Electronic	15'	15'	15'	15'	15'
HPS Magnetic	15'	35'	35'	35'	35'

CATALOG NUMBER LOGIC

(Add to Fixture Catalog Number)

EXAMPLE: RM - H35M - 277 - VER

Series: _____

RM

Ballast Type: _____

- H35M - 35W Magnetic
- H70M - 70W Magnetic
- H100M - 100W Magnetic
- H150M - 150W Magnetic
- H35E - 35W Electronic
- H70E - 70W Electronic
- H100E - 100W Electronic
- H150E - 150W Electronic
- S35 - 35W High Pressure Sodium (120V Input Only)
- S50 - 50W High Pressure Sodium
- S70 - 70W High Pressure Sodium
- S100 - 100W High Pressure Sodium
- S150 - 150W High Pressure Sodium

Input Voltage: _____

120

277

MT - Multi-Tap Electronic
Metal Halide Ballast 120/208/240/277
(35W, 70W or 100W Only)

Finish: _____

Powdercoat	Satin	Wrinkle
Bronze	BZP	BZW
Black	BLP	BLW
White (Gloss)	WHP	WHW
Aluminum	SAP	---
Verde	---	VER

Note:

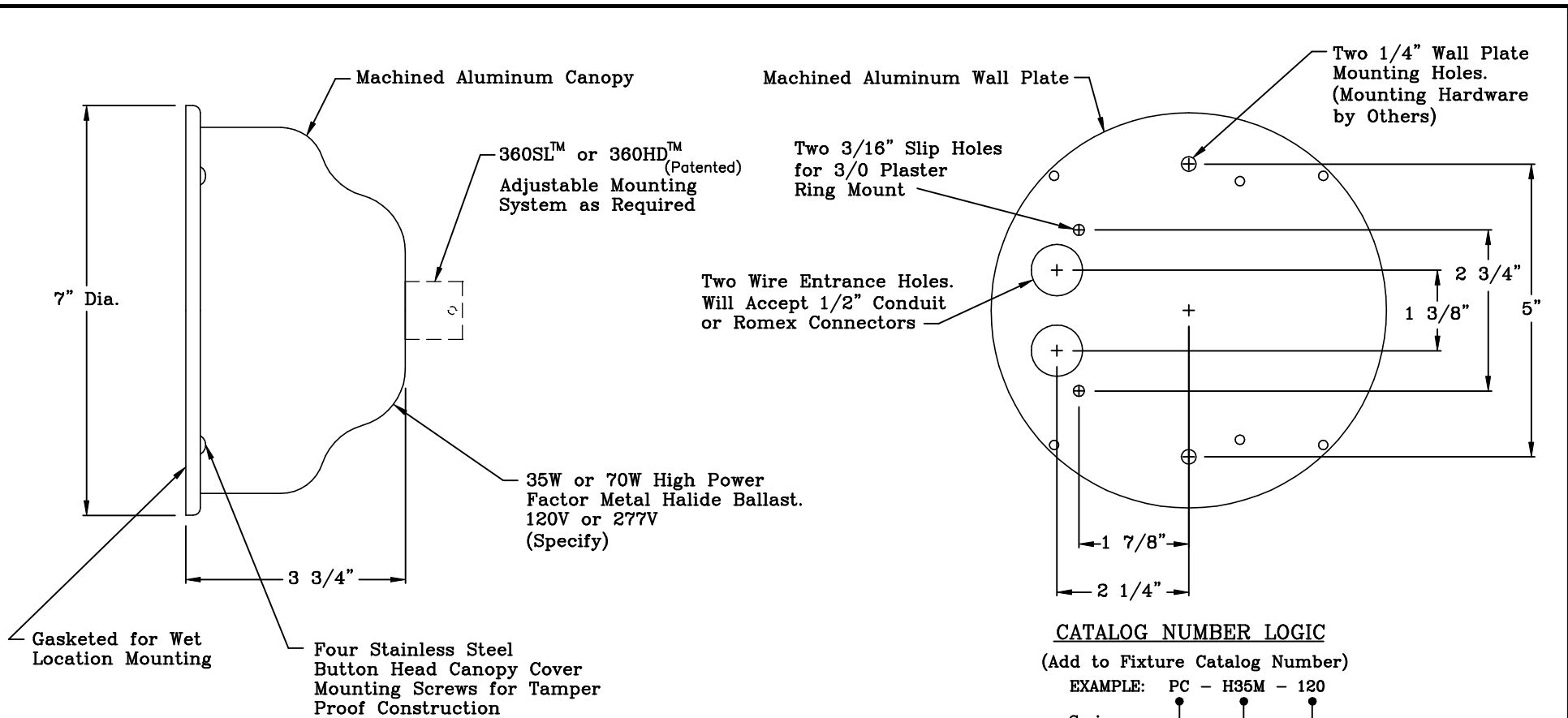
Fixtures Used with RM
Series Ballast Option Will
Ship with 360SL™ or
360HD™ (Patented) Mounting
System Attached to Fixture.

Must Be Mounted One Foot
Above Grade Level (Minimum)

For Use With EV™, SE™, K2™, YO™, SU™, HP2™,
CO2™ or DR2™ MH Series Metal Halide Fixtures.



RM HID BALLAST™ SERIES		
8/03	B-K LIGHTING, INC.	DRAWING NUMBER SUB-1139-09



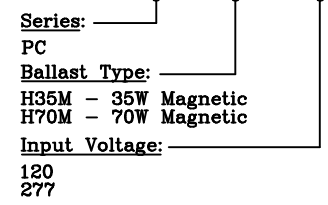
Features:

- All Precision Machined Aluminum Canopy and Wall Plate, with Stainless Steel Hardware.
- 360SL™ or 360HD™ (Patented) Adjustable Mounting System, Allows Rotational Adjustment with O-Ring Seal and Tamperproof Design.
- 35W or 70W High Power Factor, Metal Halide Ballast with Class H Insulation. (Specify)
- 120V or 277V Input Ballast Available. (Specify)
- Two 1/2" Conduit Entry Knockouts.
- Additional Junction Box Not Required, However Back Plate is Designed to Mount to Recessed Junction Box.

CATALOG NUMBER LOGIC

(Add to Fixture Catalog Number)

EXAMPLE: PC - H35M - 120



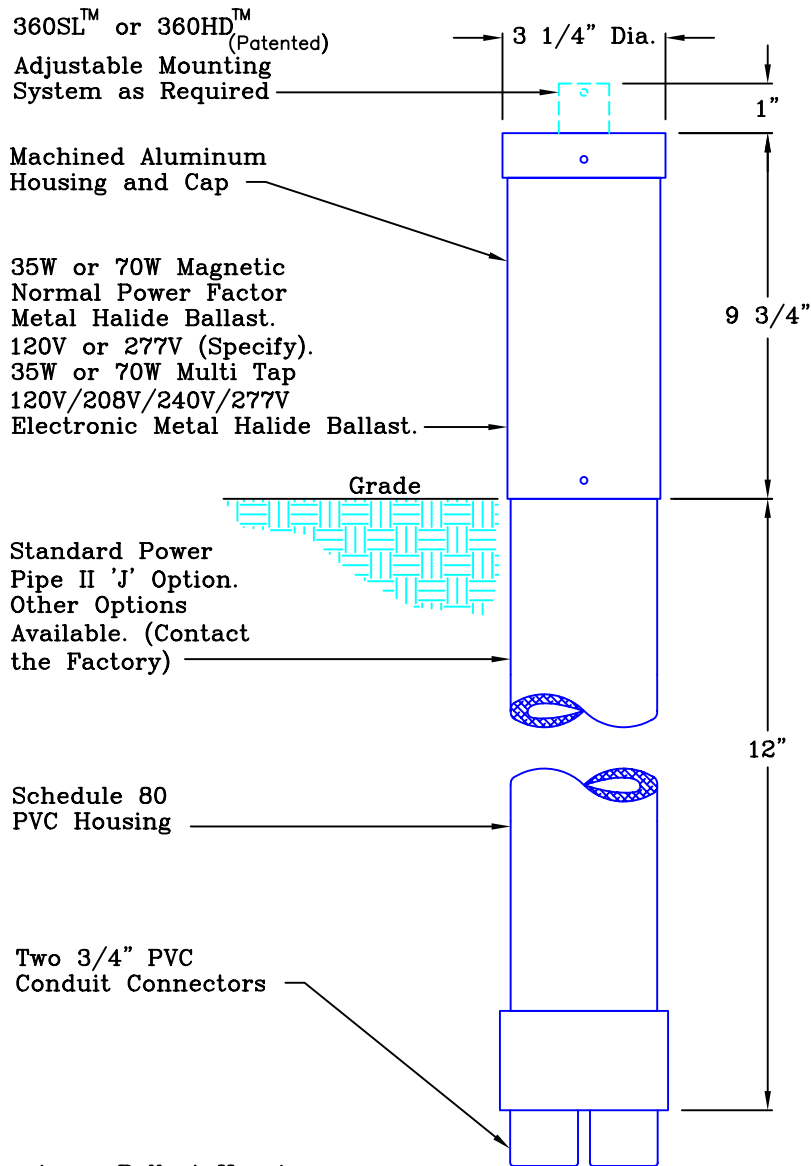
Wall or Ceiling Mount Only

Must Be Mounted One Foot Above Grade Level (Minimum)

For Use With EV™, SE™, YO™, or SU™ Series Metal Halide Fixtures



PC™ METAL HALIDE BALLAST SERIES		
3/03	B-K LIGHTING, INC.	DRAWING NUMBER SUB-1138-05



Features:

- Precision Machined Aluminum Ballast Housing and Cap with Tamperproof Design.
- Sealed with High Temperature Silicone O-Ring.
- Schedule 80 PVC Junction Box Below Grade with Two 3/4" PVC Conduit Connectors, Slip Type.
- 360SL™ or 360HD™ (Patented) Adjustable Mounting System, Allows Rotational Adjustment with O-Ring Seal and Tamperproof Design.
- 35W or 70W Magnetic Normal Power Factor, Metal Halide Ballast (Standard) with Class H Insulation, 120V or 277V (Specify).
- 35W or 70W Multi Tap 120V/208V/240V/277V Electronic Ballast.

CATALOG NUMBER LOGIC
(Add to Fixture Catalog Number)

EXAMPLE: PPII - 35 - M277

Series: PPII

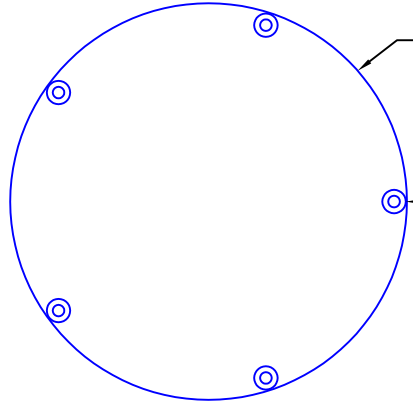
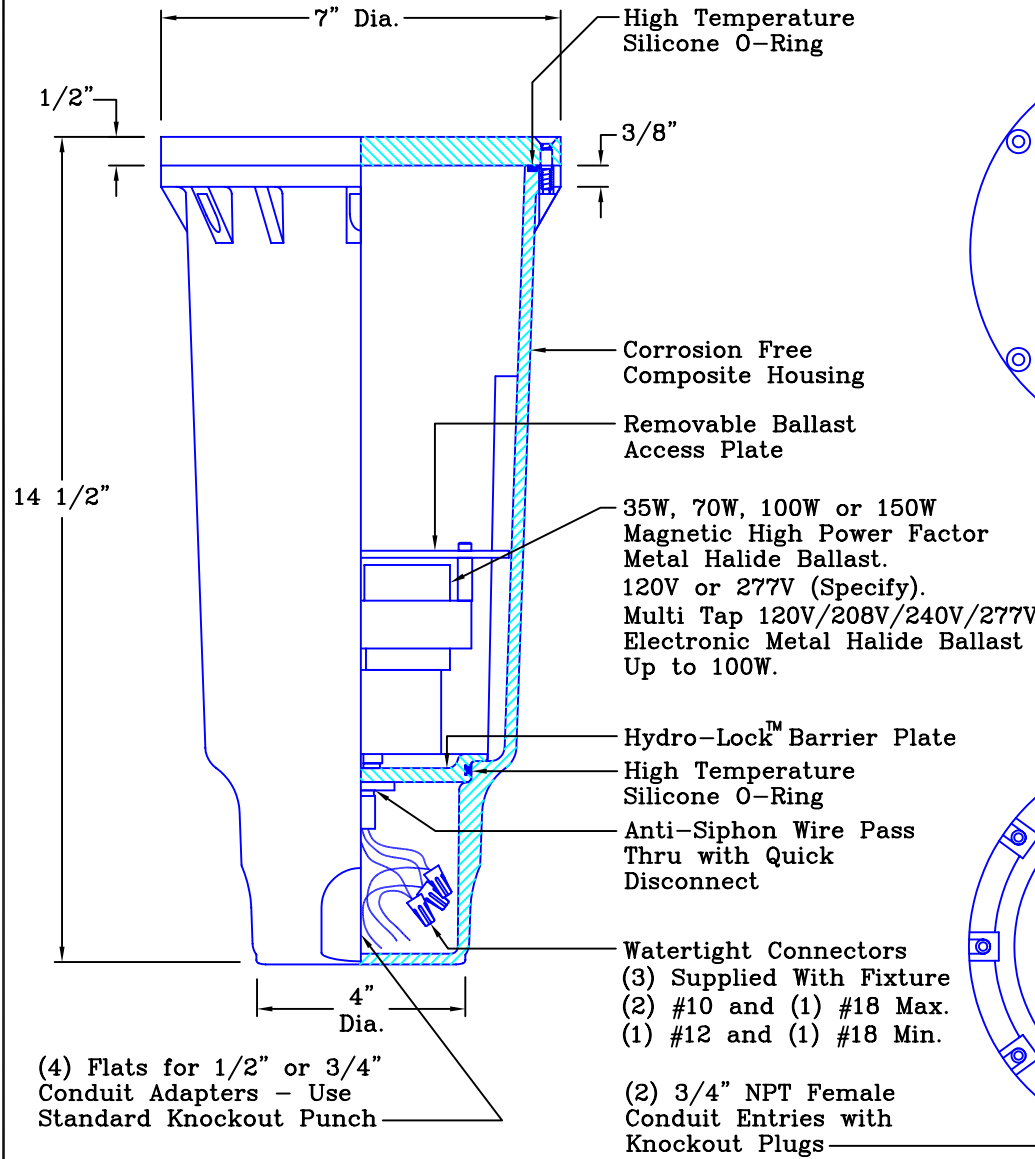
Wattage: 35 - 35 Watt Ballast

Ballast Type: M120 - Magnetic 120
M277 - Magnetic 277
E - Electronic Multi Tap 120/208/240/277

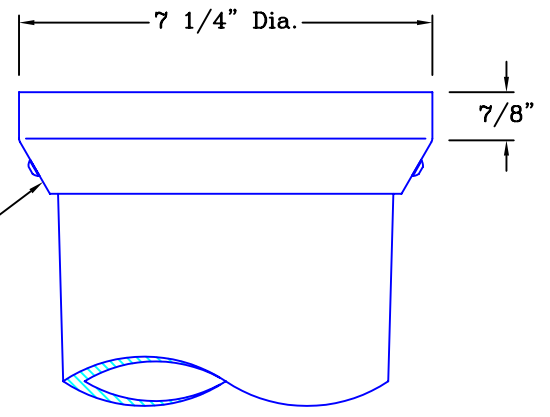
For Use With EV™, SE™, K2™, YO™, or SU™ Series Metal Halide Fixtures.



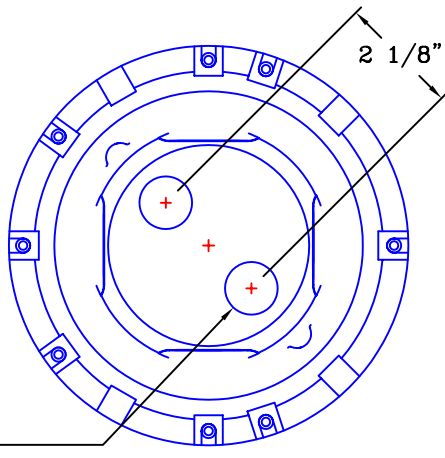
PPII™ METAL HALIDE BALLAST SERIES		
4/96	B-K LIGHTING, INC.	DRAWING NUMBER SUB-1137-05



Concrete Pour Collar Option (Material and Finish To Match Faceplate) May be Field Installed Prior to Permanent Installation of Side Entry Conduit Connectors



CPC Option Detail



Bottom Detail

MAX. LAMP TO BALLAST DISTANCES

- Magnetic Ballasts - 50'
- Electronic Ballasts - 15'

See Reverse Side For Ballast Catalog Number Logic

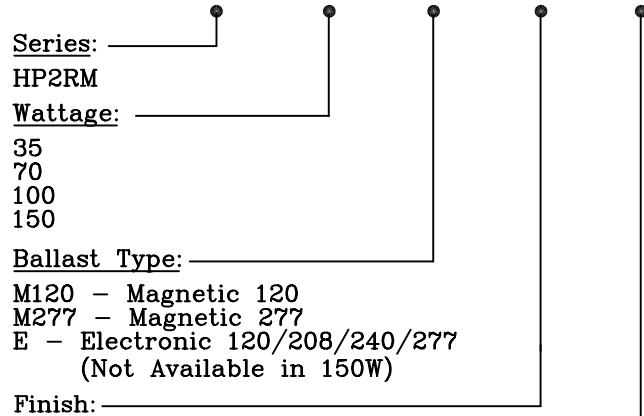


HP ² ™ METAL HALIDE BALLAST RM	
4/01	B-K LIGHTING, INC. DRAWING NUMBER SUB-1216-01

CATALOG NUMBER LOGIC

(Add to Fixture Catalog Number)

EXAMPLE: HP2RM - 35 - M277 - VER - CPC



Powdercoat	Satin	Wrinkle
Bronze	BZP	BZW
Black	BLP	BLW
White (Gloss)	WHP	WHW
Aluminum	SAP	—
Verde	—	VER

Options: _____

- CPC - Concrete Pour Collar ●
- (Material and Finish to Match Specified Fixture)
 - (May be Field Installed Prior to Permanent Installation of Side Entry Conduit Connectors)

Features:

- Precision Machined Aluminum ∇ ∇ Faceplate.
- Corrosion Free Composite Recessed Below Grade Housing.
- 360SL™ or 360HD™ (Patented) Adjustable Mounting System, Allows Rotational Adjustment with O-Ring Seal and Tamperproof Design.
- 35W, 70W, 100W or 150W Magnetic High Power Factor, Metal Halide Ballast (Standard) with Class H Insulation, 120V or 277V (Specify).
- 35W, 70W or 100W Electronic Ballast, 120V or 277V (Specify).
- Junction Box with Hydro-Lock™ Barrier Plate.
- Concrete Pour Collar Available in Aluminum, Brass or Stainless Steel.
- Large High Temperature Silicone Compression Type O-Ring with Five Stainless Steel Countersunk Hex Socket Captive Mounting Screws, Creates Water Tight Seal.
- Watertight Connectors, (3) Supplied with Fixture.

MAX. LAMP TO BALLAST DISTANCES

- Magnetic Ballasts - 50'
- Electronic Ballasts - 15'

∇ Available in Machined Brass. Prefix Series Designation With 'B', Specify 'NAT' for Natural Brass, 'POL' for Polished Brass, 'MIT' for Mitique Brass or Powdercoat Color in Finish Section of the Catalog Number.

∇ Available in Machined Stainless Steel. Prefix Series Designation With 'S', Specify 'NAT' for Machined Stainless, 'POL' for Polished Stainless, 'BRU' for Brushed Stainless or Powdercoat Color in Finish Section of the Catalog Number.



CATALOG NUMBER LOGIC

(Add to Fixture Catalog Number)

EXAMPLE: TSB - 35 - E - 48"

Series:

TSB

Wattage:

- 35 - 35 Watt Ballast
- 70 - 70 Watt Ballast
- 100 - 100 Watt Ballast

Ballast Type:

E - Electronic Multi Tap 120/208/240/277

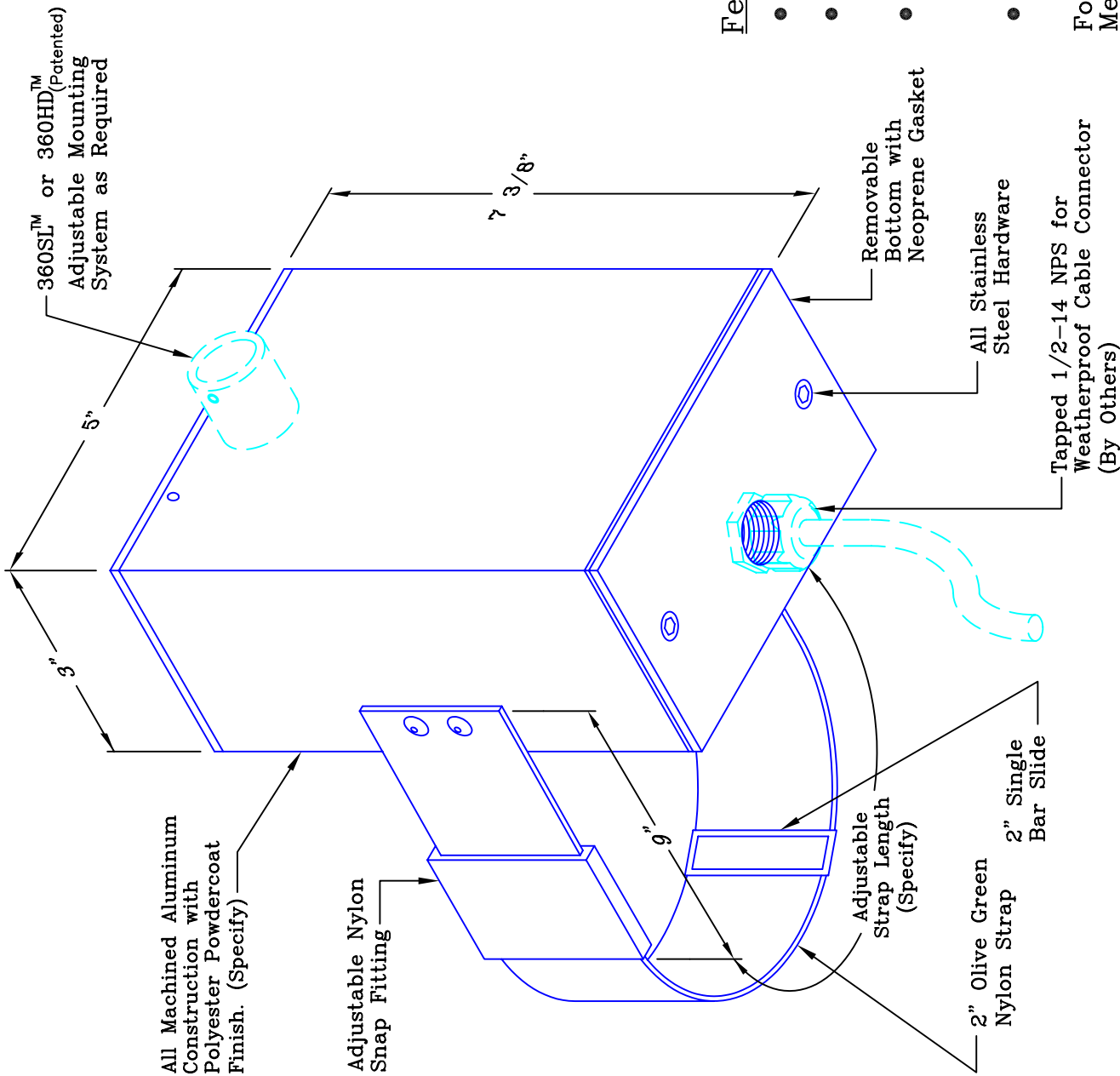
Adjustable Strap Length:

3" Minimum

Features:

- All Precision Machined Aluminum Housing, with Stainless Steel Hardware.
- 360SL™ or 360HD™ (Patented) Adjustable Mounting System, Allows Rotational Adjustment with O-Ring Seal and Tamperproof Design.
- 35W, 70W, or 100W, Multi Tap 120V/208V/240V/277V Input, High Power Factor Electronic Metal Halide Ballast. (Specify)
- (100W Ballasts for use with K2™ Series Fixtures Only)

For Use With EV™, SE™, K2™, YO™, or SU™ Series Metal Halide Fixtures.

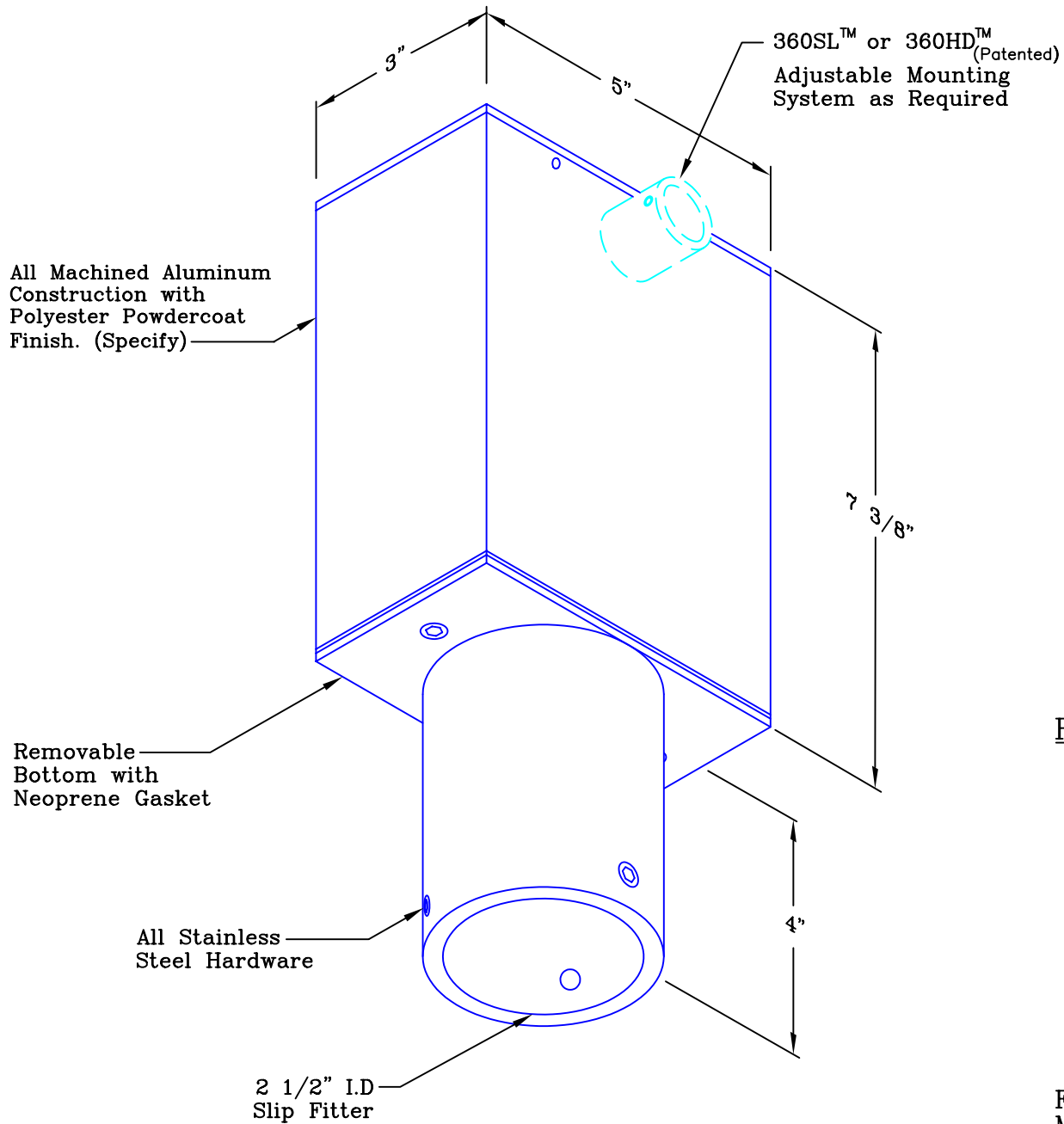


TREE STRAP™ ELECTRONIC BALLAST

4/00

B-K LIGHTING, INC.

DRAWING NUMBER
SUB-1156-06



CATALOG NUMBER LOGIC

(Add to Fixture Catalog Number)

EXAMPLE: TMB - 70 - E

Series:

TMB

Wattage:

- 35 - 35 Watt Ballast
- 70 - 70 Watt Ballast
- 100 - 100 Watt Ballast

Ballast Type:

E - Electronic Multi Tap 120/208/240/277

Features:

- All Precision Machined Aluminum Housing, with Stainless Steel Hardware.
- 360SL™ or 360HD™ (Patented) Adjustable Mounting System, Allows Rotational Adjustment with O-Ring Seal and Tamperproof Design.
- 35W, 70W, or 100W, Multi Tap 120V/208V/240V/277V Input, High Power Factor Electronic Metal Halide Ballast. (Specify)
- (100W Ballasts for use with K2™ Series Fixtures Only)

For Use With EV™, SE™, K2™, YO™, or SU™ Series Metal Halide Fixtures.

TMB
For Mounting To
2" IPS (2 3/8" O.D.)
Tenon



TENON MOUNT ELECTRONIC BALLAST™	
12/97	B-K LIGHTING, INC.
DRAWING NUMBER SUB-1181-04	